



The most professional  
hotel minibar manufacturer

SINCE 2008

**WALLATECH**<sup>®</sup>

NINGBO BEILUN WALLA ELECTRIC  
APPLIANCE CO.,LTD



## Product catalog

---



### Thermoelectric Minibar

BCH-28F	FOAMED DOOR	P02	BCH-35M	MIRROR DOOR	P08
BCH-28G	GLASS DOOR	P03	BCH-40GN	GLASS DOOR	P09
BCH-35F	FOAMED DOOR	P04	BCH-40GR	RETRO GLASS DOOR	P11
BCH-35G	GLASS DOOR	P05	BCH-40FR	RETRO FOAMED DOOR	P12
BCH-40F	FOAMED DOOR	P06	BCH-21F	DRAWER MINIBAR	P13
BCH-40G	GLASS DOOR	P07	BCH-12M	FLYING MINIBAR	P14



### Compressor Minibar

---

BC-40FT	FOAMED DOOR	P15
BC-40FR	RETRO FOAMED DOOR	P16
BC-40GR	RETRO GLASS DOOR	P17



# Company profile

## NINGBO BEILUN WALLA ELECTRIC APPLIANCE CO.,LTD

Was established in 2008, we specialized in the production, R&D and sales of hotel guest room minibar. The product series including thermoelectric minibar & compressor minibar.

We are also a professional supplier of a wide range of hospitality products, equipment and amenities for hotels, resorts, cruise ships.

After 16 years of development, Walla has provided high-class products and services to high-end hotels in more than 35 countries and regions around the world.

Through our continuous efforts, our products and services are being recognized by more and more customers.

We are the most professional and trusted hotel minibar supplier in China.


The purpose of Walla company: We not only provide high quality products, but also the perfect service.

 **2008 Year**  
Start from 2008

 **6000 m<sup>2</sup>**  
Plant area 6000m<sup>2</sup>

 **30+**  
Workers to 30+






 **100,000+**  
Year capacity over to 100,000pcs

 **35+**  
Provide service to more than 35countries and regions

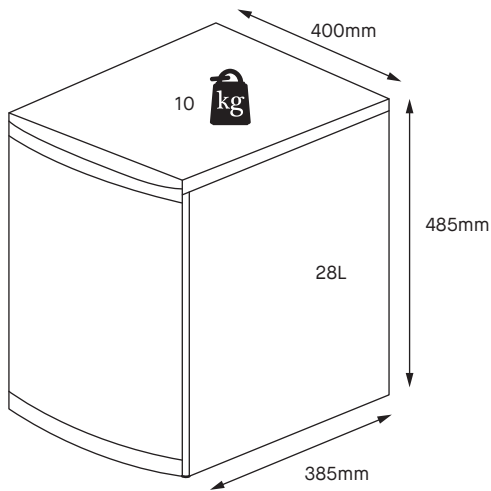




### BCH-28 FOAMED DOOR

-  Automatic autodefrost
-  Reversible door
-  Interior lighting, low consumption LED
-  Height adjustable trays and shelves
-  Complete silent

## Features



**Capacity:**  
28L

**Colour:**  
Black / White

**Voltage:**  
110V / 220-240V

**Frequency:**  
50-60Hz

**Wattage:**  
60 W

**Cooling technology:**  
Thermoelectric Minibar (Peltier)

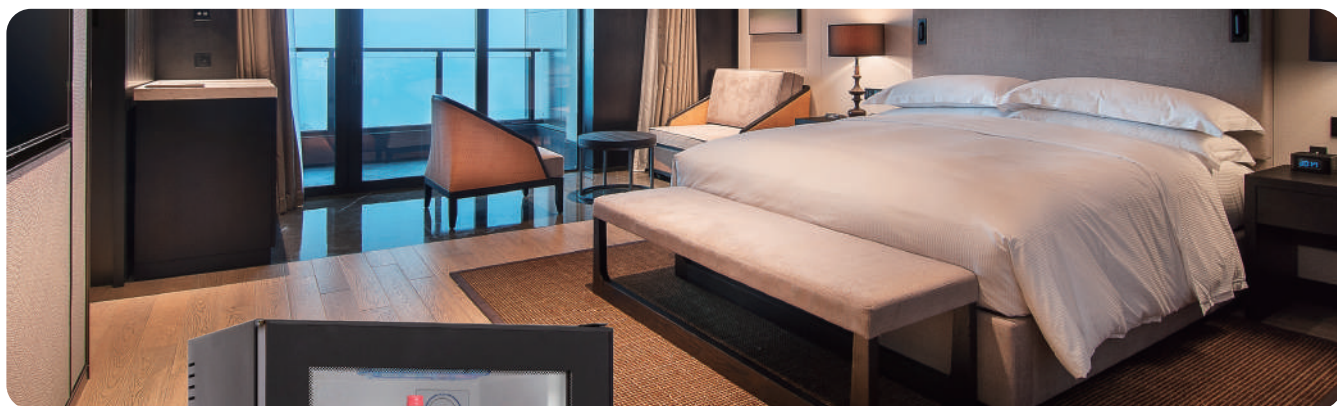
**20"/40"/40HQ:**  
260/520/610PCS

**Average Temperature:**  
5-8°C (ambient temperature 25°C)






**Certification:**  
CE,ROHS, EEI

**Energy consumption:**  
0.286(kWh/24h)

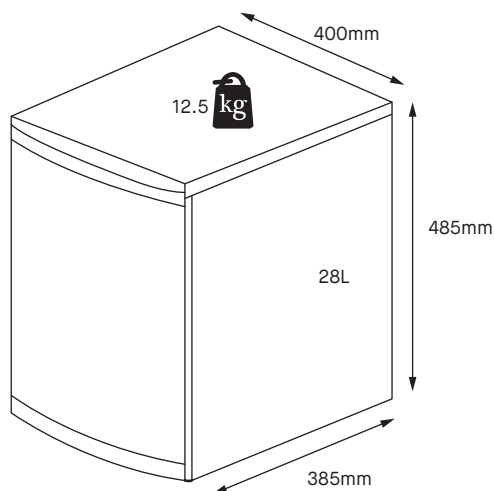




### BCH-28 GLASS DOOR

-  Automatic autodefrost
-  Reversible door
-  Interior lighting, low consumption LED
-  Height adjustable trays and shelves
-  Complete silent

### Features



**Capacity:**  
28L

**Colour:**  
Black / White

**Voltage:**  
110V / 220-240V

**Frequency:**  
50-60Hz

**Wattage:**  
60 W

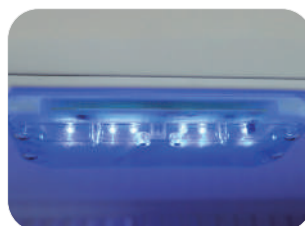
**Cooling technology:**  
Thermoelectric Minibar (Peltier)

**20"/40"/40HQ:**  
260/520/610PCS

**Average Temperature:**  
10-12°C (ambient temperature 25°C)






**Certification:**  
CE,ROHS, EEI

**Energy consumption:**  
0.244(kWh/24h)

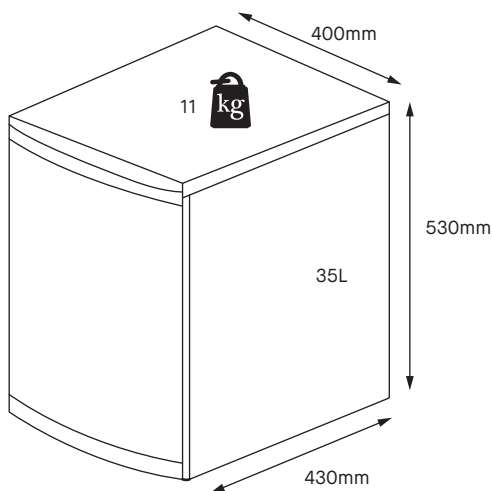




### BCH-35F

-  Automatic autodefrost
-  Reversible door
-  Interior lighting, low consumption LED
-  Height adjustable trays and shelves
-  Complete silent

## Features



**Capacity:**  
35L

**Colour:**  
Black / White

**Voltage:**  
110V / 220-240V

**Frequency:**  
50-60Hz

**Wattage:**  
60 W

**Cooling technology:**  
Thermoelectric Minibar (Peltier)

**20"/40"/40HQ:**  
225/470/496PCS

**Average Temperature:**  
5-8°C (ambient temperature 25°C)






**Certification:**  
CE, ROHS, EEI

**Energy consumption:**  
0.235(kWh/24h)

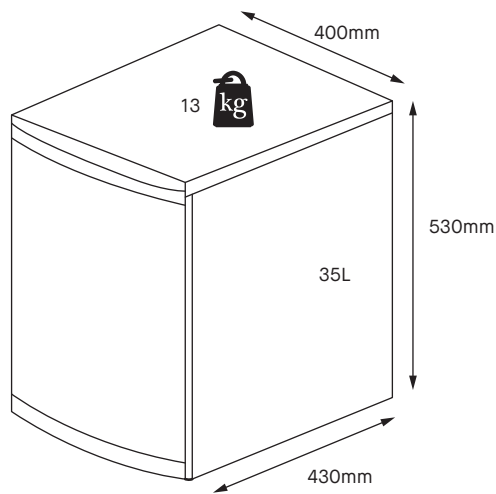




**BCH-35G**

-  Automatic autodefrost
-  Reversible door
-  Interior lighting, low consumption LED
-  Height adjustable trays and shelves
-  Complete silent

**Features**



**Capacity:**  
35L

**Colour:**  
Black / White

**Voltage:**  
110V / 220-240V

**Frequency:**  
50-60Hz

**Wattage:**  
60 W

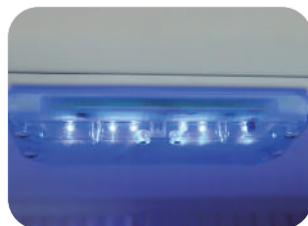
**Cooling technology:**  
Thermoelectric Minibar (Peltier)

**20"/40"/40HQ:**  
225/470/496PCS

**Average Temperature:**  
10-12°C (ambient temperature 25°C)






**Certification:**  
CE,ROHS, EEI

**Energy consumption:**  
0.213(kWh/24h)

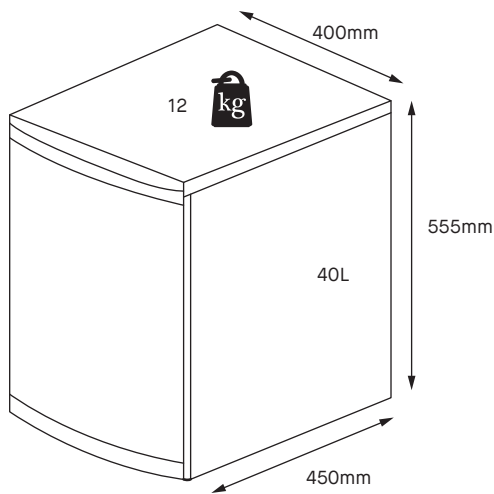




### BCH-40F

-  Automatic autodefrost
-  Reversible door
-  Interior lighting, low consumption LED
-  Height adjustable trays and shelves
-  Complete silent

## Features



**Capacity:**  
40L

**Colour:**  
Black / White

**Voltage:**  
110V / 220-240V

**Frequency:**  
50-60Hz

**Wattage:**  
60 W

**Cooling technology:**  
Thermoelectric Minibar (Peltier)

**20"/40"/40HQ:**  
210/455/480PCS

**Average Temperature:**  
5-8°C (ambient temperature 25°C)






**Certification:**  
CE,ROHS, EEI

**Energy consumption:**  
0.243(kWh/24h)

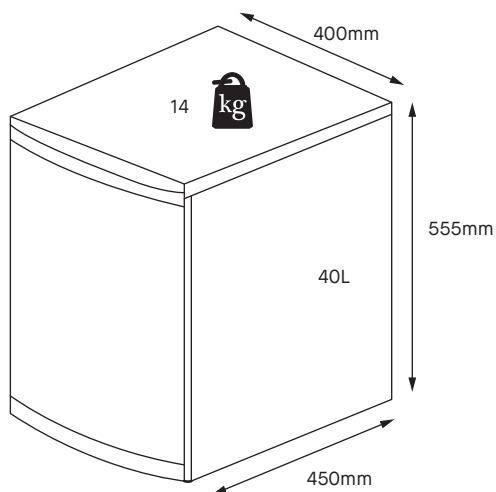




### BCH-40G

-  Automatic autodefrost
-  Reversible door
-  Interior lighting, low consumption LED
-  Height adjustable trays and shelves
-  Complete silent

## Features



**Capacity:**  
40L

**Colour:**  
Black / White

**Voltage:**  
110V / 220-240V

**Frequency:**  
50-60Hz

**Wattage:**  
60 W

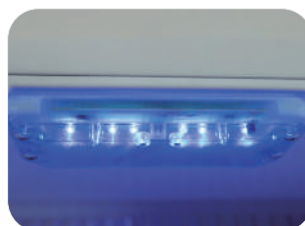
**Cooling technology:**  
Thermoelectric Minibar (Peltier)

**20"/40"/40HQ:**  
210/455/480PCS

**Average Temperature:**  
10-12°C (ambient temperature 25°C)






**Certification:**  
CE, ROHS, EEI

**Energy consumption:**  
0.220(kWh/24h)

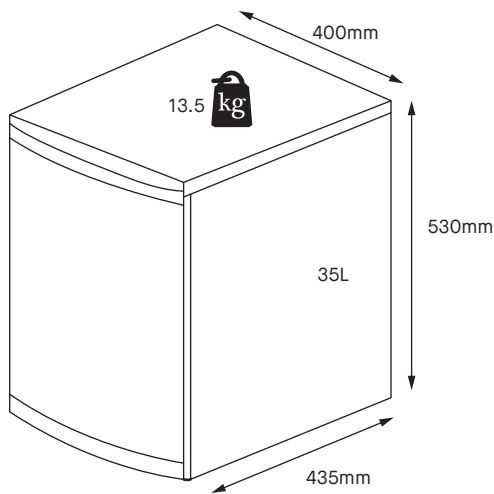




### BCH-35M

-  Automatic autodefrost
-  Reversible door
-  Interior lighting, low consumption LED
-  Height adjustable trays and shelves
-  Complete silent

## Features



**Capacity:**  
35L

**Colour:**  
Black / White

**Voltage:**  
110V / 220-240V

**Frequency:**  
50-60Hz

**Wattage:**  
60 W

**Cooling technology:**  
Thermoelectric Minibar (Peltier)

**20"/40"/40HQ:**  
225/470/496PCS

**Average Temperature:**  
5-8°C (ambient temperature 25°C)






**Certification:**  
CE, ROHS, EEI

**Energy consumption:**  
0.235(kWh/24h)

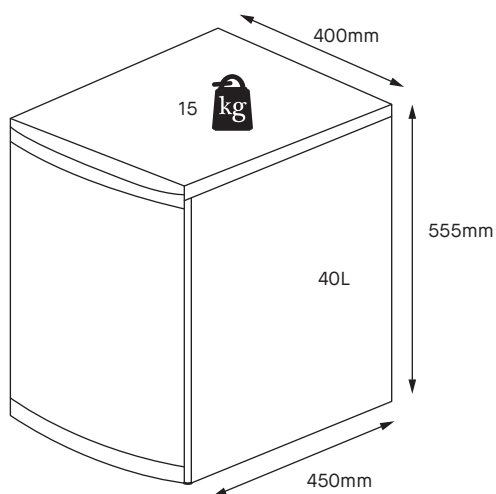




### BCH-40GN

-  Automatic autodefrost
-  Reversible door
-  Interior lighting, low consumption LED
-  Height adjustable trays and shelves
-  Complete silent

## Features



**Capacity:**  
40L

**Colour:**  
Black / White

**Voltage:**  
110V / 220-240V

**Frequency:**  
50-60Hz

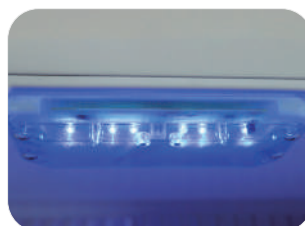
**Wattage:**  
60 W

**Cooling technology:**  
Thermoelectric Minibar (Peltier)

**20"/40"/40HQ:**  
210/455/480PCS

**Average Temperature:**  
12-14°C (ambient temperature 32°C)

**Certification:**  
CE,ROHS








# Your Partner In Hotel & Hospitality Industry

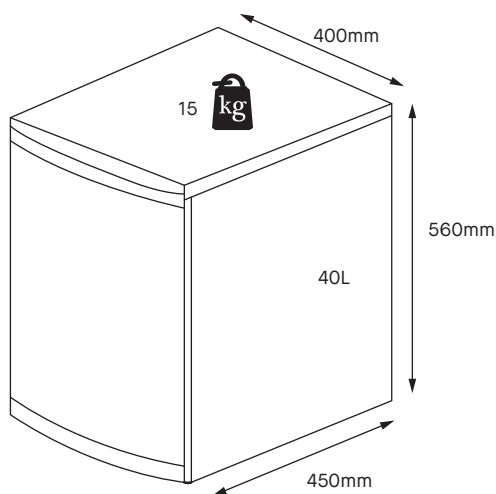




### BCH-40GR

-  Automatic autodefrost
-  Reversible door
-  Interior lighting, low consumption LED
-  Height adjustable trays and shelves
-  Complete silent

## Features



**Capacity:**  
40L

**Colour:**  
Black / White

**Voltage:**  
110V / 220-240V

**Frequency:**  
50-60Hz

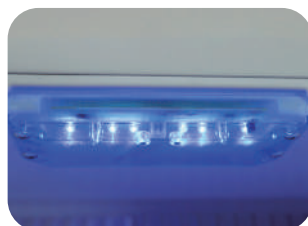
**Wattage:**  
60 W

**Cooling technology:**  
Thermoelectric Minibar (Peltier)

**20"/40"/40HQ:**  
210/455/480PCS






**Average Temperature:**  
5-8°C (ambient temperature 25°C)

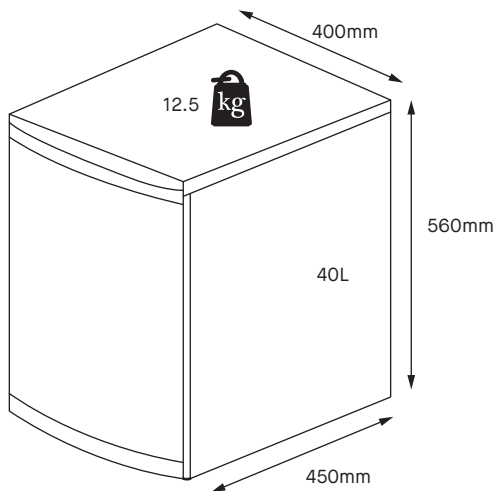
**Certification:**  
CE,ROHS





### BCH-40FR

-  Automatic autodefrost
-  Reversible door
-  Interior lighting, low consumption LED
-  Height adjustable trays and shelves
-  Complete silent



**Capacity:**  
40L

**Colour:**  
Black / White

**Voltage:**  
110V / 220-240V

**Frequency:**  
50-60Hz

**Wattage:**  
60 W

**Cooling technology:**  
Thermoelectric Minibar (Peltier)

**20"/40"/40HQ:**  
210/455/480PCS

**Average Temperature:**  
5-8°C (ambient temperature 25°C)






**Certification:**  
CE, ROHS, EEI

**Energy consumption:**  
0.197(kWh/24h)

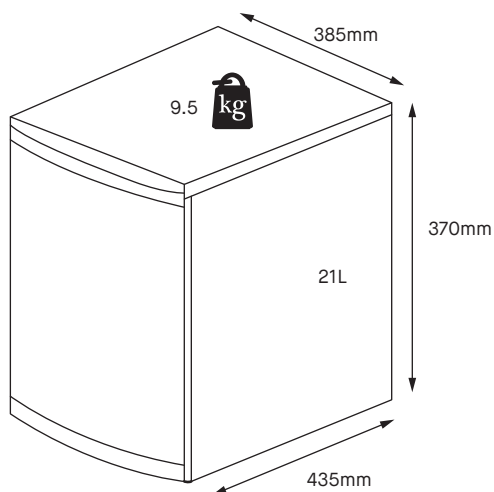




### BCH-21F

-  Automatic autodefrost
-  Reversible door
-  Interior lighting, low consumption LED
-  Height adjustable trays and shelves
-  Complete silent

### Features



**Capacity:**  
21L

**Colour:**  
Black / White

**Voltage:**  
110V / 220-240V

**Frequency:**  
50-60Hz

**Wattage:**  
60 W

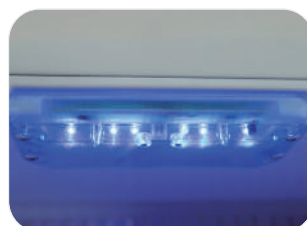
**Cooling technology:**  
Thermoelectric Minibar (Peltier)

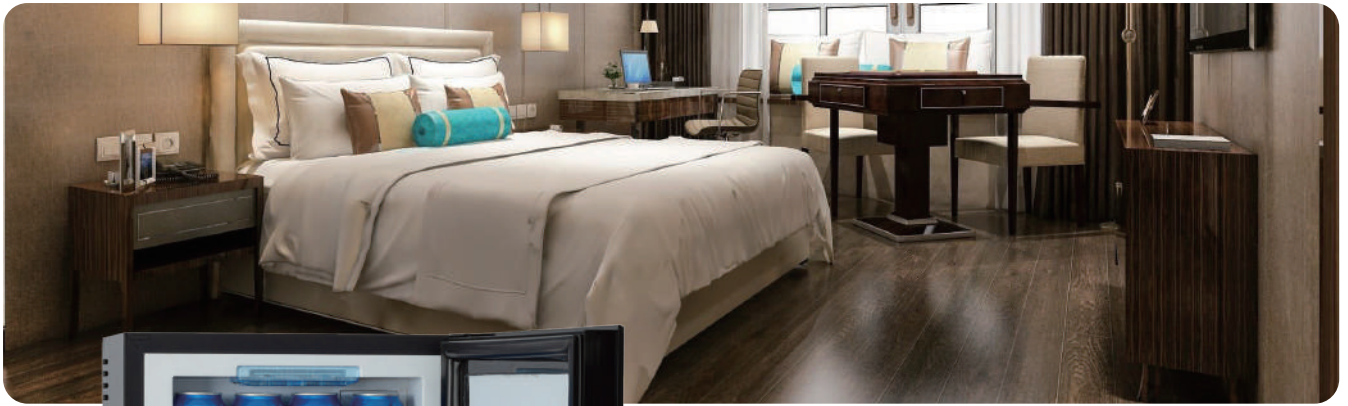
**20"/40"/40HQ:**  
300/600/720PCS

**Average Temperature:**  
5-8°C (ambient temperature 25°C)






**Certification:**  
CE, ROHS, EEI

**Energy consumption:**  
0.228(kWh/24h)

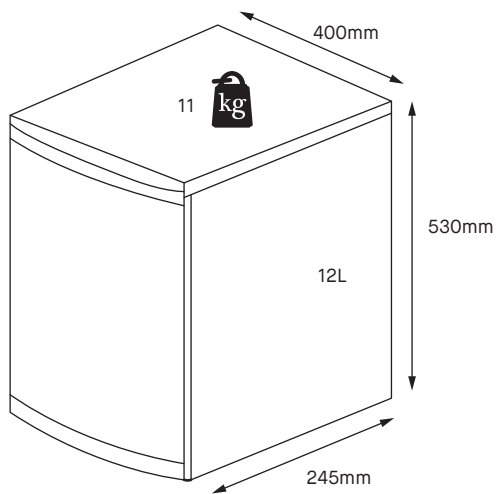




### BCH-12M

-  Automatic autodefrost
-  Reversible door
-  Interior lighting, low consumption LED
-  Height adjustable trays and shelves
-  Complete silent

### Features



**Capacity:**  
12L

**Colour:**  
Black / White

**Voltage:**  
110V / 220-240V

**Frequency:**  
50-60Hz

**Wattage:**  
60 W

**Cooling technology:**  
Thermoelectric Minibar (Peltier)

**20"/40"/40HQ:**  
350-400/750-800/890PCS





**Average Temperature:**  
5-8°C (ambient temperature 25°C)

**Certification:**  
CE,ROHS



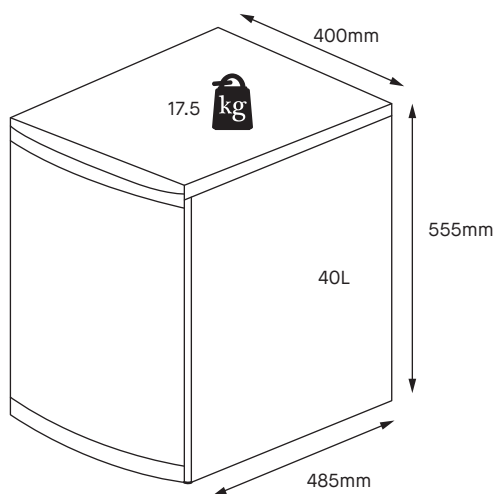


### BC-40FT

-  Automatic autodefrost
-  Reversible door
-  Interior lighting, low consumption LED
-  Height adjustable trays and shelves



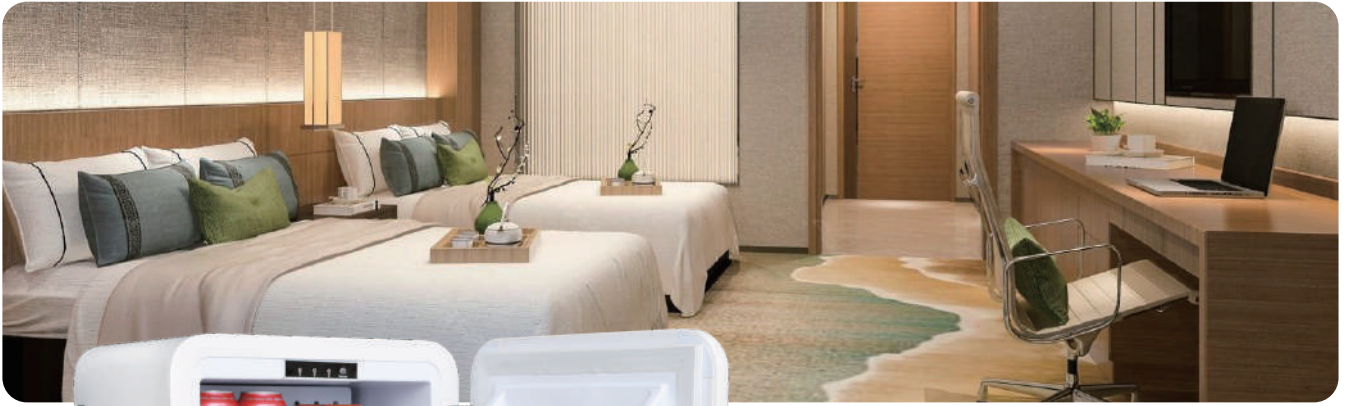
Sleep mode makes the minibar totally silent for 9 hours and maintain inside drinks cold during the time.







### Features

<b>Capacity:</b> 40L	<b>Cooling technology:</b> Compressor Minibar
<b>Colour:</b> Black / White	<b>20"/40"/40HQ:</b> 195/425/440PCS
<b>Voltage:</b> 110V / 220-240V	<b>Average Temperature:</b> Below 5°C (ambient temperature 32°C)
<b>Frequency:</b> 50-60Hz	<b>Certification:</b> CE,ROHS
<b>Wattage:</b> 60 W	<b>Energy consumption:</b> 0.159(kWh/24h)



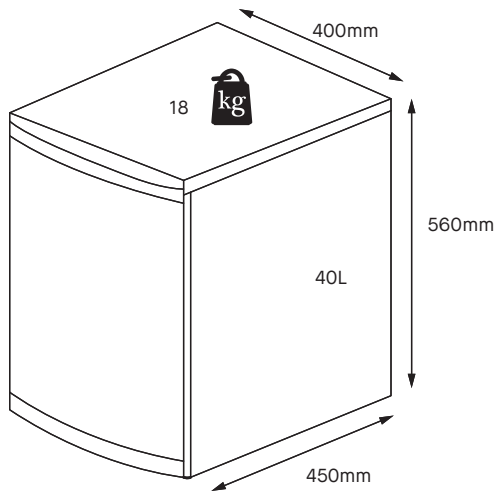


### BC-40FR

-  Automatic autodefrost
-  Reversible door
-  Interior lighting, low consumption LED
-  Height adjustable trays and shelves



Sleep mode makes the minibar totally silent for 9 hours and maintain inside drinks cold during the time.



### Features

**Capacity:**  
40L

**Colour:**  
Black / White

**Voltage:**  
110V / 220-240V

**Frequency:**  
50-60Hz

**Wattage:**  
60 W

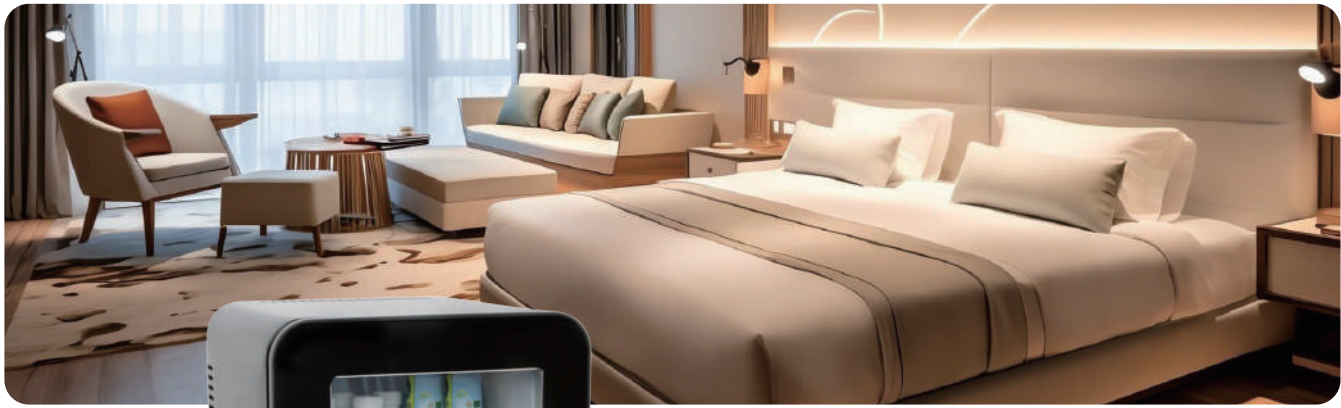
**Cooling technology:**  
Compressor Minibar

**20"/40"/40HQ:**  
210/455/480PCS





**Average Temperature:**  
Below 5°C (ambient temperature 32°C)

**Certification:**  
CE,ROHS

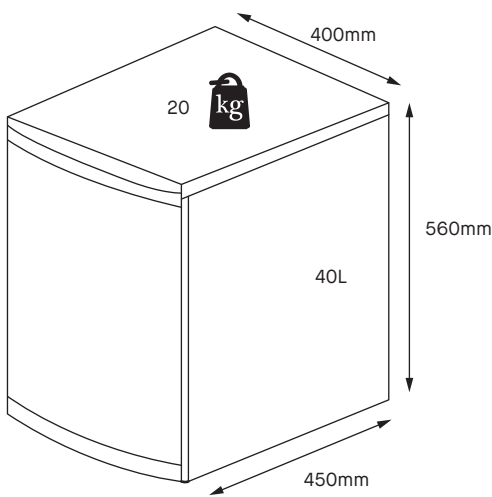




### BC-40GR

-  Automatic autodefrost
-  Reversible door
-  Interior lighting, low consumption LED
-  Height adjustable trays and shelves

## Features



**Capacity:**  
40L

**Colour:**  
Black / White

**Voltage:**  
110V / 220-240V

**Frequency:**  
50-60Hz

**Wattage:**  
60 W

**Cooling technology:**  
Compressor Minibar

**20"/40"/40HQ:**  
210/455/480PCS

**Average Temperature:**  
Below 5°C (ambient temperature 32°C)

**Certification:**  
CE,ROHS



